

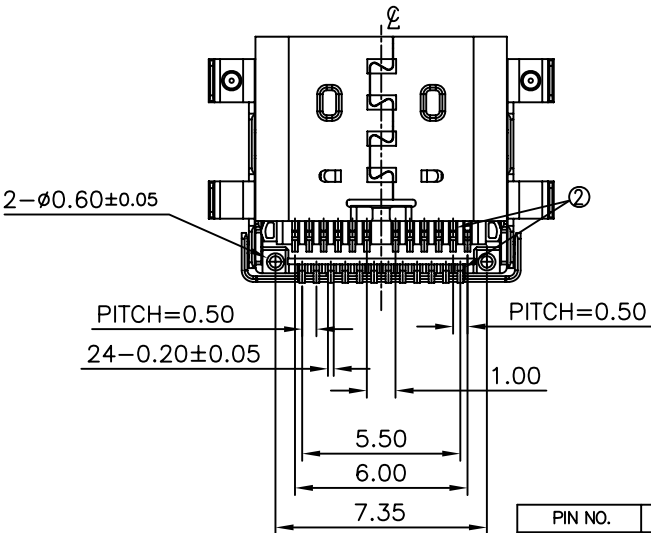
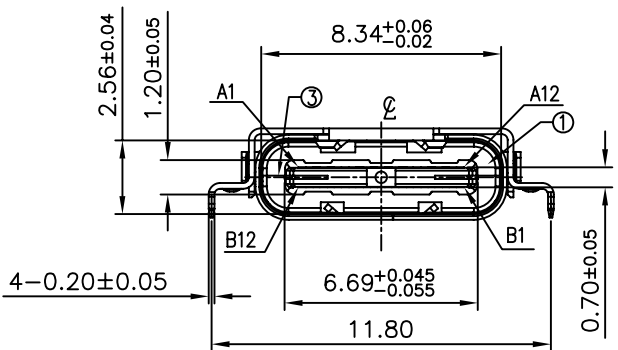
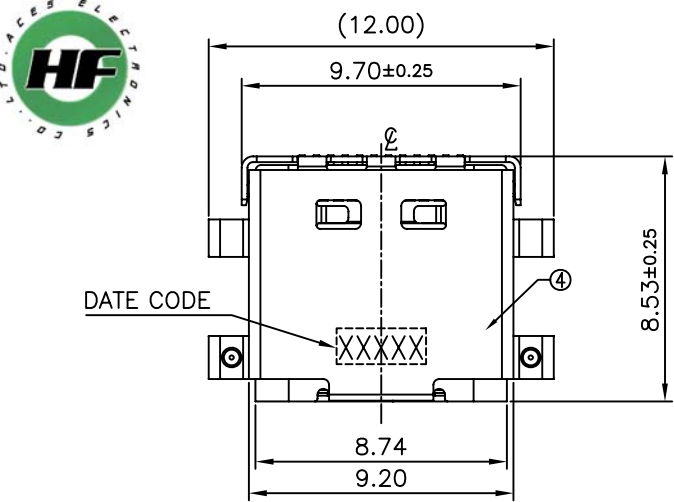
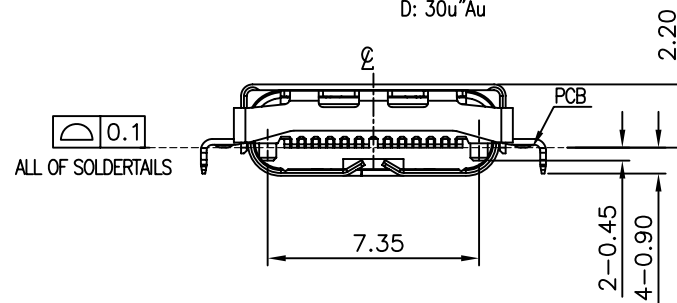


NOTES:

1. MATERIAL:
 - 1.1 HOUSING: THERMOPLASTIC, HIGH TEMP., UL94V-0;
 - 1.2 CONTACT: HIGH CONDUCTIVITY COPPER ALLOY
 - 1.3 GROUND PIN: STAINLESS STEEL
 - 1.4 OUTER SHELL: STAINLESS STEEL
2. FINISH:
 - 2.1 CONTACT:
 - 2: Gold Flash ON CONTACT FOR LEAD FREE
 - D: 30u" Au ON CONTACT FOR LEAD FREE.
 - 50~100u" NICKEL UNDERPLATING OVERALL.
 - SOLDER TAILS: TIN 100u" MIN. OVER NICKEL.
 - 2.2 GROUND PIN & SHELL :
 - 50u" MIN NICKEL UNDERPLATING OVERALL.
3. SPEC. PLS. REFER TO PS-55907-xxxxx-xxx
4. PACKAGE PLS REFER TO 55960-xxxxx-xx-TRP
5. PART NUMBER:

57996-024 X X-XXX

NO OF CKT: 001: NONE
 PACKING: PLATING
 O: TAPE & REEL 2: Gold Flash
 D: 30u" Au



PIN NO.	A1	A2	A3	A4	A5	A6	A7	A8	A9	A10	A11	A12
SIGNAL NAME	GND	SSTxp1	SSTXn1	VBUS	CC1	Dp1	Dn1	SBU1	VBUS	SSRXn2	SSRxp2	GND
PIN NO.	B12	B11	B10	B9	B8	B7	B6	B5	B4	B3	B2	B1
SIGNAL NAME	GND	SSRXp1	SSRXn1	VBUS	SBU2	Dn2	Dp2	CC2	VBUS	SSTXn2	SSTxp2	GND

一般公差
TOLERANCES
 X ±0.50 XX ±0.15
 X ±0.25 .XXX ±0.10
 ANGLES ±1°

檢驗尺寸標示
SYMBOLS Ⓞ Ⓢ INDICATE CLASSIFICATION DIMENSION
 Ⓞ MARK IS CRITICAL DIM.
 Ⓢ MARK IS MAJOR DIM.

表面處理 (FINISH)

宏致電子股份有限公司
 Aces Electronics Co., Ltd.

品名 (TITLE)
 USB3.1 Type C Mid-mount REC ASSY (R/A)

圖號 (DWG.NO)
 57996-024XX-XXX

比例 (SCALE) 單位 (UNITS)
 4:1 mm

製圖 (DR) 17/07/12 LIUHUA
 審核 (CHKD) BRAVE

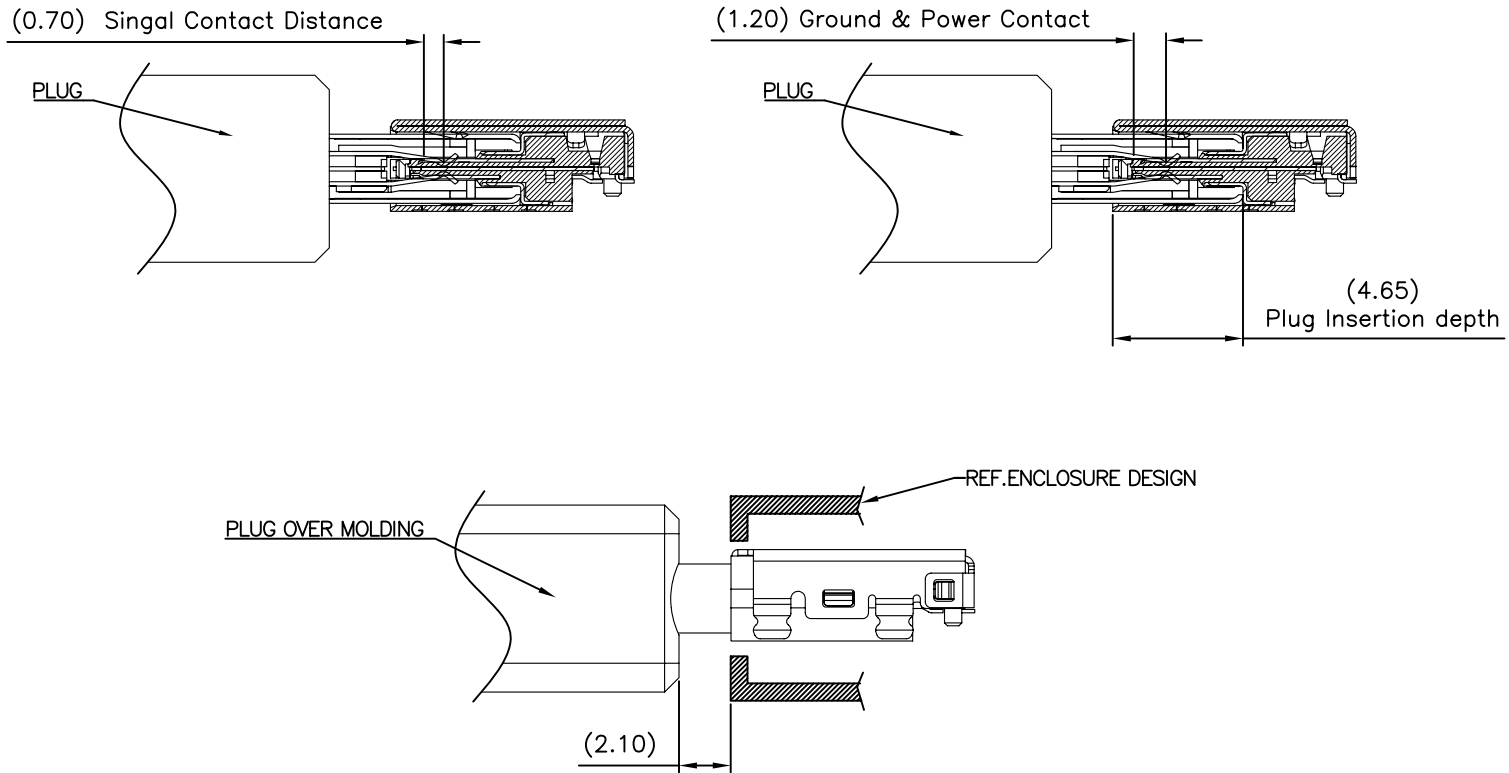
核准 (APPD) FRANK

張數 (SHEET) 1 OF 3
 尺寸 (SIZE) A4
 版次 (REV) 0

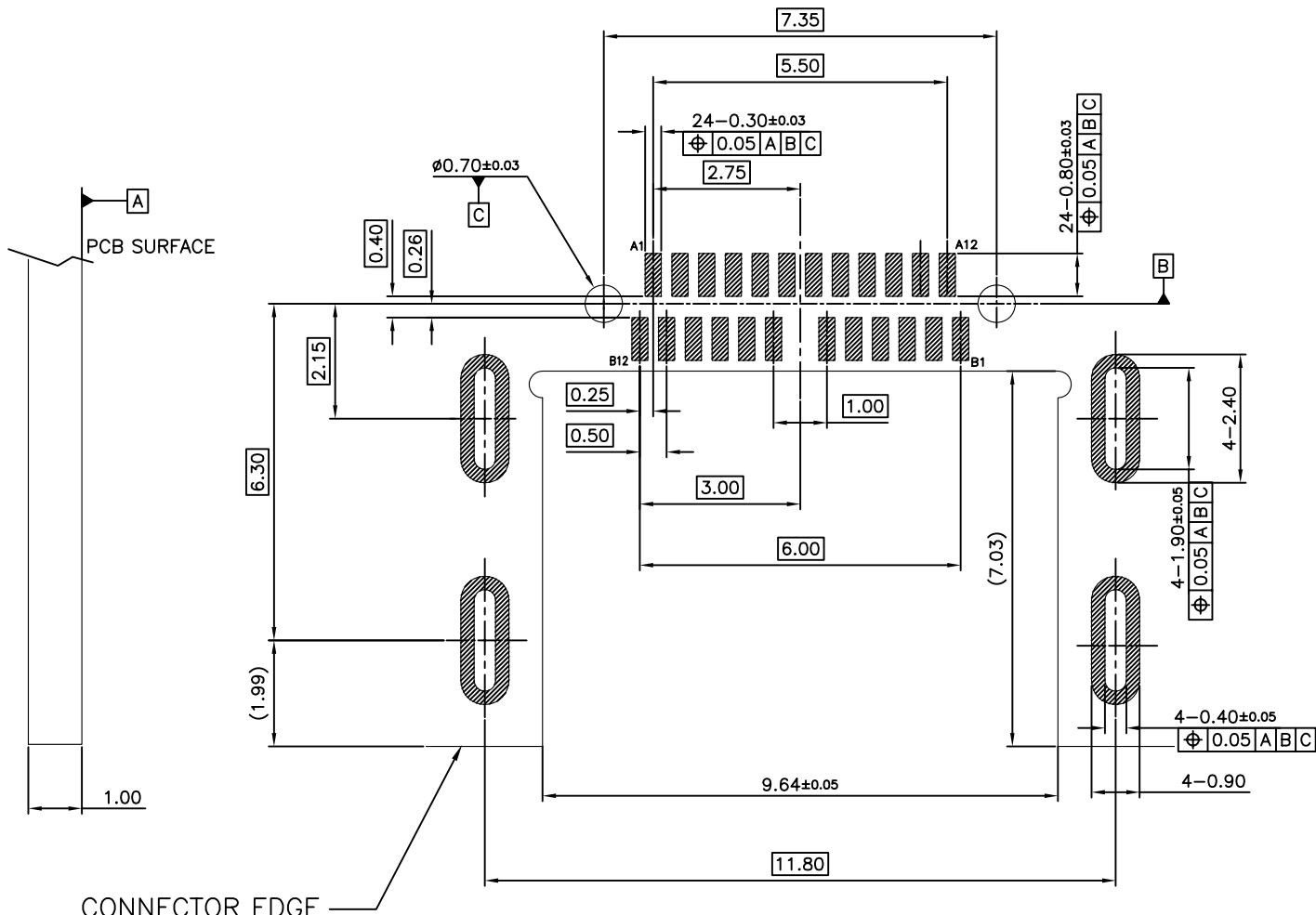
4	OUTER SHELL	1
3	GROUND PLATE	1
2	CONTACT	24
1	HOUSING	2
ITEM	DESCRIPTION	Q'TY



RECPT & PLUG MATING DRAWING



一般公差 TOLERANCES X ±0.50 XX ±0.15 X ±0.25 .XXX ±0.10 ANGLES ±1°		宏致電子股份有限公司 Aces Electronics Co.,Ltd.	
檢驗尺寸標示 SYMBOLS (C) (M) INDICATE CLASSIFICATION DIMENSION (C) MARK IS CRITICAL DIM. (M) MARK IS MAJOR DIM.	品名 (TITLE) USB3.1 Type C Mid-mount REC ASSY (R/A)	製圖 (DR) 17/07/12 LIUHUA 審核 (CHKD) BRAVE	5
表面處理 (FINISH)	圖號 (DWG.NO) 57996-024XX-XXX	核准 (APPD) FRANK	
	比例 (SCALE) 4:1	單位 (UNITS) mm	張數 (SHEET) 2 OF 3
			尺寸 (SIZE) A4
			版數 (REV) 0



RECOMMENDED PCBLAYOUT

TOP VIEW
SCALE 8:1
(TOLERANCE=±0.05mm)

一般公差 TOLERANCES X ±0.50 XX ±0.15 X ±0.25 XXX ±0.10 ANGLES ±1°		宏致電子股份有限公司 Aces Electronics Co.,Ltd.		
檢驗尺寸標示 SYMBOLS INDICATE CLASSIFICATION DIMENSION MARK IS CRITICAL DIM. MARK IS MAJOR DIM.	品名 (TITLE) USB3.1 Type C Mid-mount REC ASSY (R/A)	製圖 (DR) 17/07/12 LIUHUA		
	圖號 (DWG.NO) 57996-024XX-XXX	審核 (CHKD) BRAVE		
表面處理 (FINISH)	比例 (SCALE) 4:1	單位 (UNITS) mm	核准 (APPD) FRANK	
張數 (SHEET) 3 OF 3			尺寸 (SIZE) A4	版次 (REV) 0